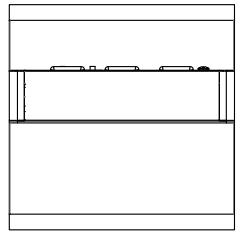
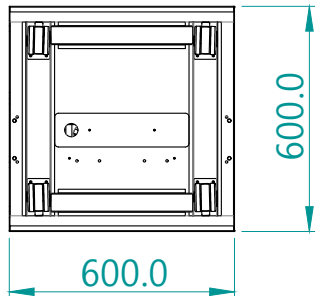
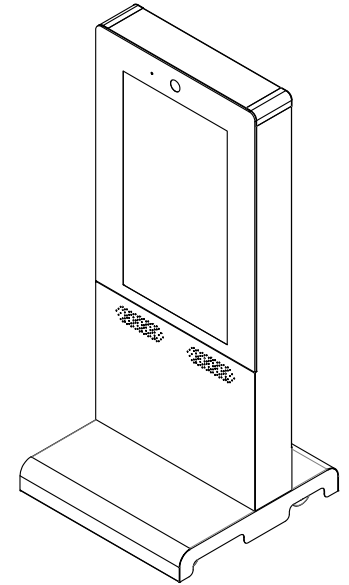
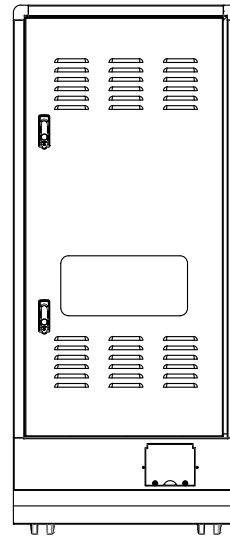
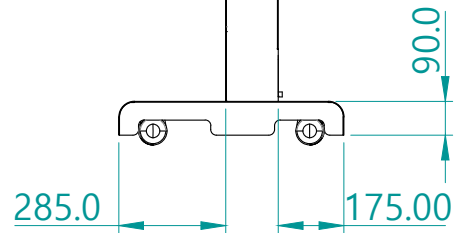
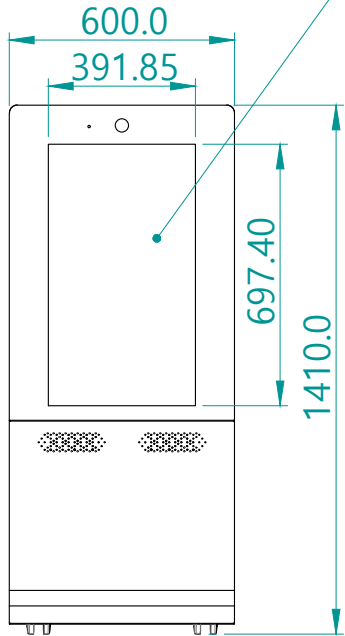


REV. NO.	DESCRIPTIONS	CONDITION	DATE	DRW	CHK	APPR
△						
△						



32inch Monitor



NO.	PART NAME	PART NO.	QTY	MATERIAL	DESCRIPTION
PART NAME KYODOCOM WHOLE AS (320VOS)			SCALE 1:1	THIRD ANGLE ⊕ ⊖	Ra ✓ ✓ ✓
MATERIAL			QTY	REV. NO. △	CUSTOMER
DESCRIPTION			DRAWING FORMAT	A3	MODEL
			DRW	DSGN	CHK
			DRW NO.	SHEET 1/1	
THIS DRAWING CANNOT BE USED,REPRODUCED,TRANSFERRED TO OTHER PEOPLE WITHOUT OUR WRITTEN PERMISSION					